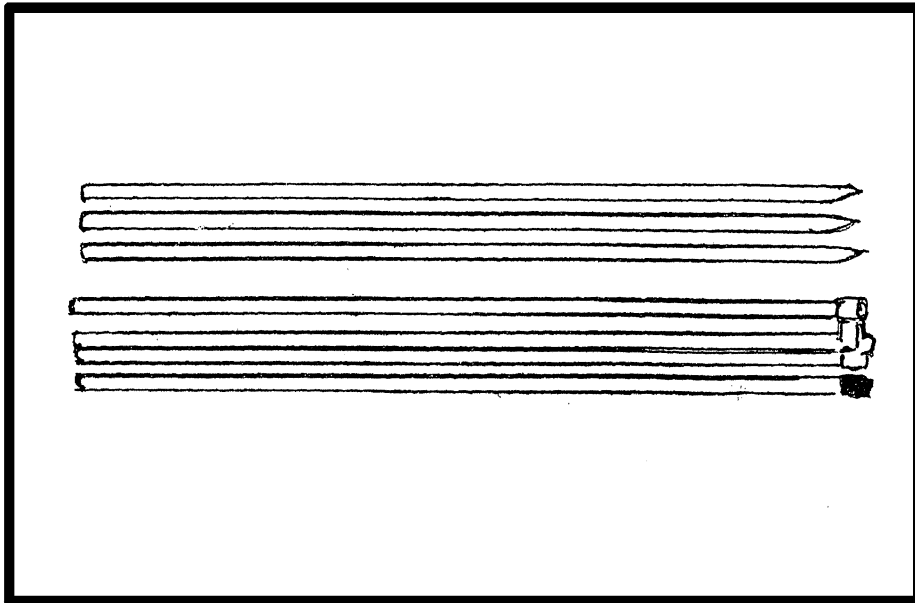


FOR CONVENIENT STORAGE

Purchase pole case
Sold separately

See: To store
Page 2



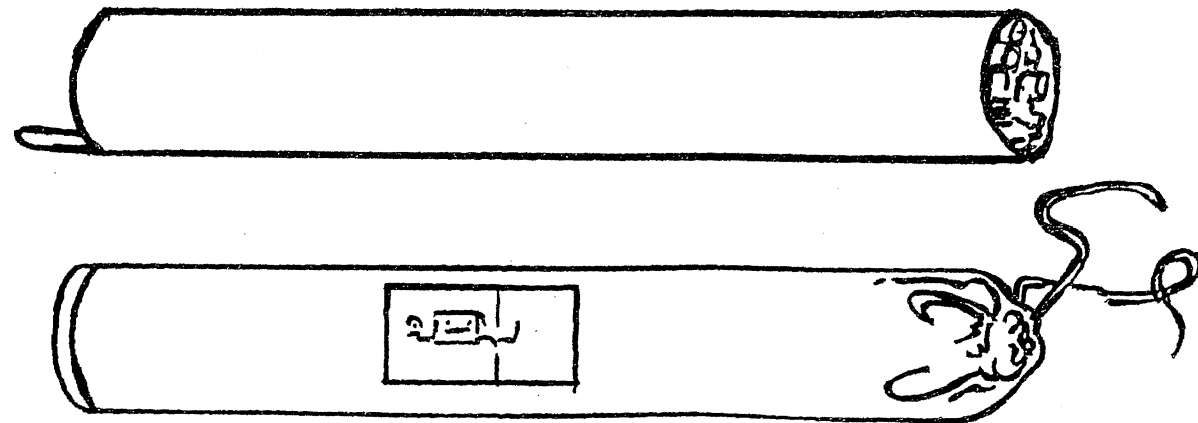
CAUTION

Do not allow water to collect on the awning or roof of shelter. When leaving your unit for extended periods, lower one corner to insure proper water run off.

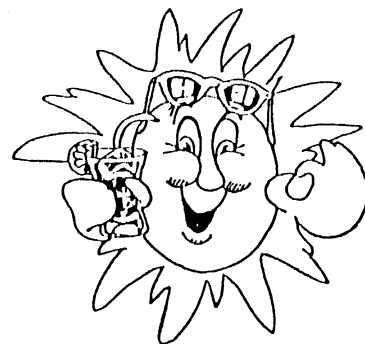
Make sure the installed unit does not interfere with operation of vehicle door(s). If necessary install caster to top corner of door(s) to make sure door corner does not tear installed unit.

When re-packing and storing your unit keep the fabric portion and hardware separate to avoid hardware from tearing or puncturing your unit.

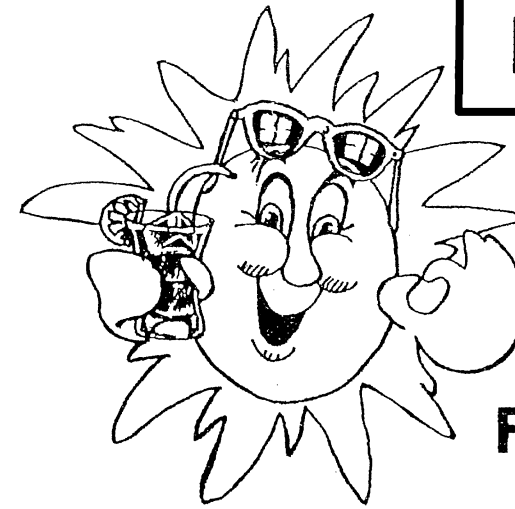
This unit has been inspected prior to being shipped from the factory. Any manufacturing defects must be reported prior to installation. Damage to unit caused by faulty, improper installation or abuse will not be credited.



Shade MAKER



INSTALLATION INSTRUCTIONS



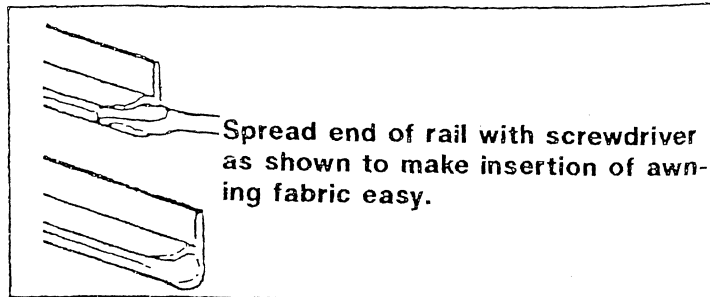
SHADEMAKER DELUXE AWNINGS

For RV's, Campers, Trailers
and Patio Cover

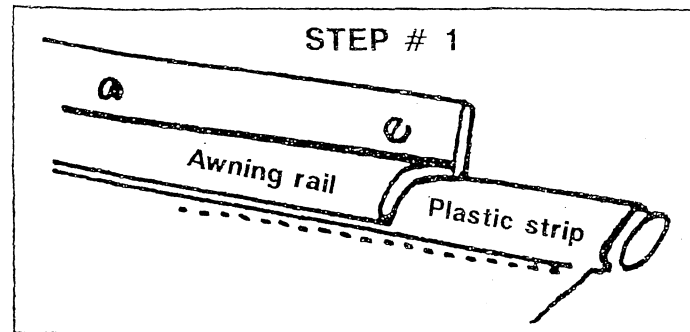


REVIEW INSTALLATION INSTRUCTIONS PRIOR TO BEGINNING
INSTALLATION. CHECK CONTENTS OF PACKAGE WITH PARTS
LIST TO INSURE ALL PARTS ARE INCLUDED.

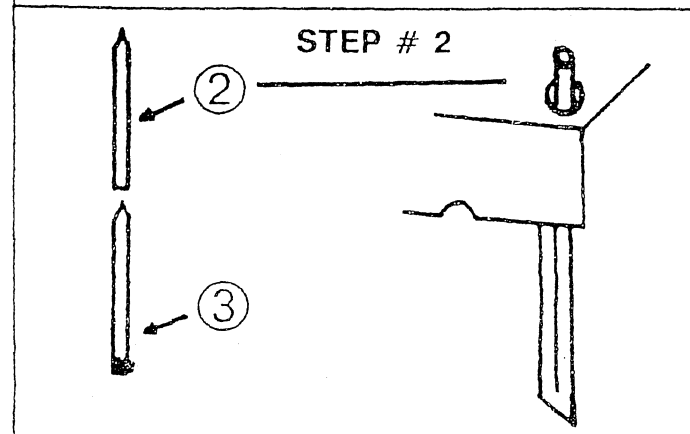
MOST TRAILERS COME EQUIPPED WITH AN ALUMINUM RAIL TO ATTACH YOUR AWNING. IN ABSENCE OF THIS RAIL, INSTALL THE CORRECT LENGTH OF STANDARD AWNING RAIL. THIS ITEM MAY BE PURCHASED AT LOCAL R.V. DEALERS.



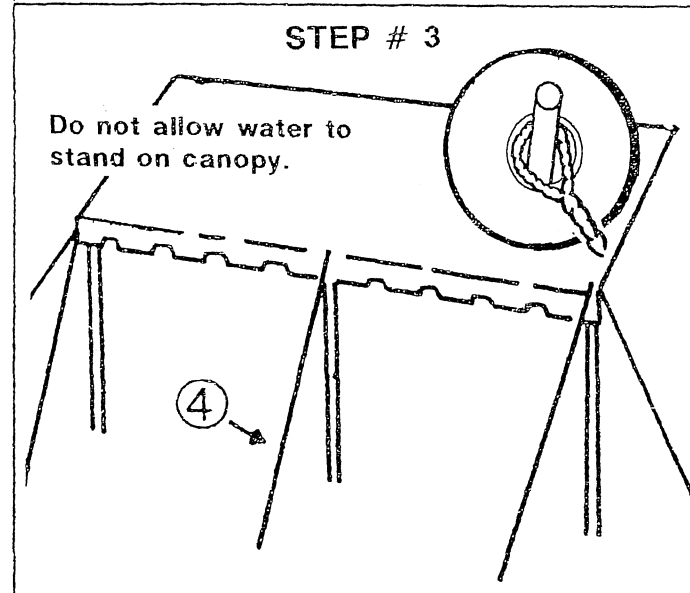
Spread end of rail with screwdriver as shown to make insertion of awning fabric easy.



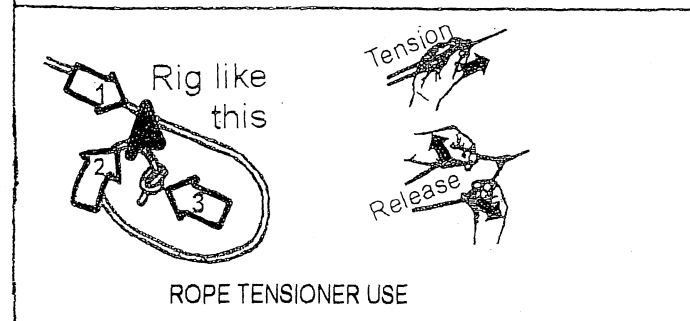
STEP # 1



STEP # 2



STEP # 3



Step #1 Insert plastic strip at top of awning cover into awning rail.

Step #2 Assemble uprights (2 & 3) as shown. Attach plastic end cap at bottom of each assembled pole. Slip upper pike end of pole through grommet of awning cover.

Step #3 Loop end of rope (4), hook it over piked pole top. Guide rope out at a 45 degree angle and stake to ground. Adjust rope length with rope slider. Do not over stretch.

To Store Fold awning cover to a width of 54 inches or less. Place disassembled poles on folded cover. Roll folded cover tightly around poles. Store in main compartment of bag. Place stakes in plastic bag. Store bag of stakes, ropes and hardware in pocket of storage bag.

Storage bag not supplied with awning. Purchase separately.

1 Year limited warranty on material & workmanship.

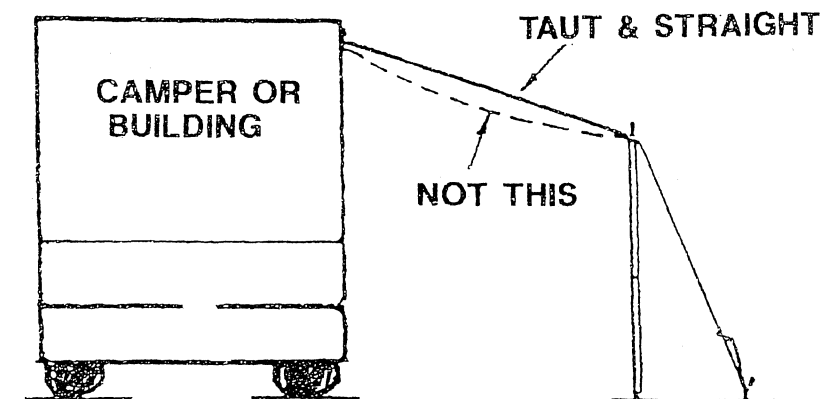
REPLACEMENT PARTS

KEY NO	PART NO	DESCRIPTION	SIZE 8'-10'-12'	SIZE 15'
1	COVER	AWNING FABRIC	1 ea.	1 ea.
2	100-P -44	UPRIGHT TOP POLE (PIKED)	3 ea.	4 ea.
3	100-SOE -44	UPRIGHT BOTTOM POLE	3 ea.	4 ea.
4	R6-10P	ROPE	5 ea.	6 ea.
5	PS-9	PLASTIC STAKE 9 INCHES	5 ea.	6 ea.
6	P-ML	ROPE LOCK	5 ea.	6 ea.
7	CAP	1 " PLASTIC CAP	3 ea.	4 ea.

WARNING FLAMMABLE

Avoid flame and heat sources. This awning is made with flame resistant fabric which meets CAPI-84 specifications. It is not fireproof. The fabric will burn if left in contact with any flame source.

Do not apply any foreign substance to the fabric, it may render the flame resistant properties ineffective.



SPECIAL SET UP INSTRUCTIONS

Use extreme caution in attaching awning to trailer. Three people should assist to prevent possibility of material being torn at juncture of top and header rope. Two people should hold up flaked (or folded) canopy while third person draws header rope through track of awning rail on trailer.

**Shade
MAKER**

SHADEMAKER PRODUCTS CORP
PO BOX 5271
BUFFALO GROVE, IL 60089
Phone 773-955-0998

