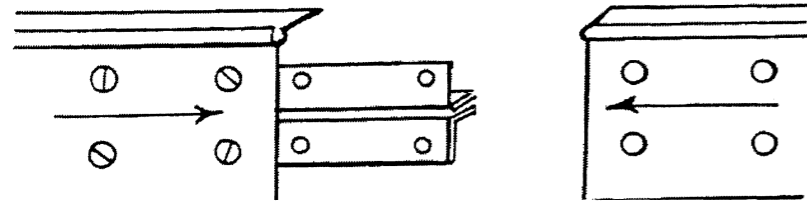


FOR ALL K.D. BAG AWNINGS



For all KnockDown bag awnings 10 ft. and over, install joiner angles as shown above. On one half of the front bar, place angles as shown. Insert ¼-20 x ½” screw through front bar and angle. Place star washer over threaded end of screw, spin on ¼-20 hex nut and hand-tighten. Repeat these steps with three more ½” screws, washers and nuts. Hand-tighten all screws. Install ¼-20 x ¾” machine screws through remaining holes in angles and front bar. Fasten with star washers and hex nuts. Check alignment of front bar, then tighten all screws. Unzip awning bag and roll out fabric. With colored side of fabric facing up and front bar lying flat with bead retainer facing you, slide awning bead into bead retainer from one end. Center fabric on front bar. Attach to front bar with #8 x ½” drill point screws securing through rail, fabric, awning bead, and rail approximately 1” from end. Pull fabric tight at other end and secure with #8 x ½” drill point screw. Roll fabric up by turning frame underneath allowing colored side to face out and continue until awning arrives in storage bag. Zip up storage bag. Awning is now ready for installation. Note: Awnings produced since mid-2008 have an additional ‘beveled end’ channel for mounting accessories. Do not use this second channel for attaching the awning fabric.

Repair:

Repair parts are available through some dealers and the manufacturer. Certain individual parts are not available except as part of an assembly since field installation is impractical.

Disassembly:

The ground leg assembly can be removed for replacement by drilling out the stop pop rivet and pulling the leg from the top upright. Then remove the top upright leg assembly to facilitate installation of a new ground leg assembly. The top upright leg assembly is removed by drilling out the two pop rivets at its top using a 3/16” drill bit.

The top upright swivel assembly can be removed after removing large rafter assembly by drilling out the flared end of the p/n 12033 semi-tubular rivet using a 3/16” drill and then removing the rivet.

The small rafter assembly is removed by depressing the snap buttons and withdrawing it from the large rafter assembly.

The large rafter assembly is removed by drilling out the flared end of the p/n 12015 semi-tubular rivet and removing the rivet. Save the p/n 12022 compression spring and two p/n 12046 spacers for reuse.

Re-assembly:

Note: Re-assembly requires a pop rivet tool and a rivet set for 3/16” semi-tubular rivets. If the rivet set is not available, a prick punch and a small ball pein hammer can perform the same function. (Flare the end of the rivet with the punch and then carefully finish the rivet with light taps from the ball pein hammer.)

Install the ground leg assembly by dropping it into the top end of the top upright leg (already removed) with the stop rivet facing the lock handle. Then install the p/n 12031 stake out wire and 12032 ground cap.

Finally, reattach the top upright leg to the swivel assembly using two 3/16” pop rivets.

Install the small rafter fully into the large rafter with the spring pin aligned with the holes in the large rafter.

When fully inserted, the small rafter causes the spring cartridge in the end of the large rafter to fully extend.

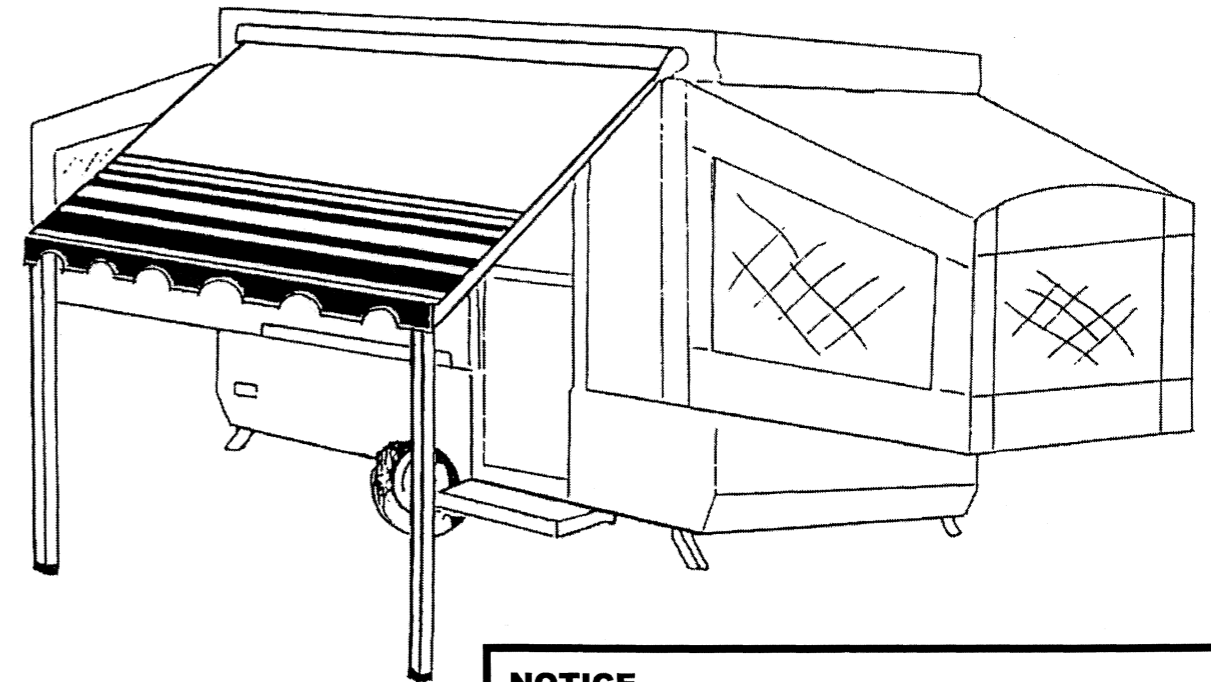
Insert the p/n 12022 compression spring into the end of the spring cartridge and position the large rafter with the tension handle facing down into its slot in the front bar. Insert a new p/n 12015 semi-tubular rivet partially into the first of its holes and then place the first p/n 12046 spacer on the rivet. Insert the rivet through the holes at the end of the spring cartridge, ensuring that the spring is in its place, and then install the second p/n 12046 spacer and fully insert the rivet. Use a rivet set or the alternate method, form the end of the semi-tubular rivet to retain the rivet.

Shade MAKER



S upreme

BAG AWNING INSTRUCTIONS AND PARTS LIST



Shademaker Products Corporation
P.O. Box 5271
Buffalo Grove, IL 60089
Tel. 773-955-0998
Email shademaker@comcast.net

NOTICE

BAG AWNING FRAME IS DESIGNED TO HOLD FABRIC PORTION IN NORMAL WEATHER CONDITIONS. IF HIGH WINDS OR HEAVY RAINS OCCUR, YOU SHOULD FOLD UP AND STORE UNIT IN BAG. IF LEFT UP IN RAINY CONDITIONS, LOWER ONE LEG TO ALLOW RAIN TO RUN OFF FREELY.
1 YEAR LIMITED WARRANTY DOES NOT COVER AWNING FROM WIND DAMAGE, RAIN DAMAGE OR DAMAGE WHILE TRANSPORTING.

SHADEMAKER SUPREME BAG AWNING INSTRUCTIONS AND PARTS LIST

Caution:

Stake awning legs to ground with provided stakes. If awning is to be left out unattended, lower one of the legs significantly so water will run off of fabric freely. Do not attempt to set up awning in moderate winds. Do not leave the awning set up if strong winds are likely. Get adequate help to stow awning if strong winds arise. If awning becomes filled with water, use a broom to sweep water off the lowest side. Do not go underneath an awning filled with water and do not allow others to do so. Do not attempt to adjust a leg to relieve an existing water buildup. These precautions will help to prevent injury as well as rain or wind caused damage.

Installation:

1. Open feed end of awning rail as shown in Figure #1. This will allow you to insert bag awning bead without snagging the material. Or if you choose, you may file off the sharp corners on the awning rail track.
2. Slide awning into awning rail while bag is still zipped closed.
3. Install #8 x 1/2" drill point screw 1" in from each end of the bag. Fasten through awning rail, fabric and plastic rope. Pull fabric taut before installing second screw. This will keep your awning in place on the camper.
4. Install sockets with #8 x 3/4" sheet metal screws at each edge of awning fabric (not the bag fabric) directly below awning rail. Make sure the large groove on the socket faces down.

Set Up:

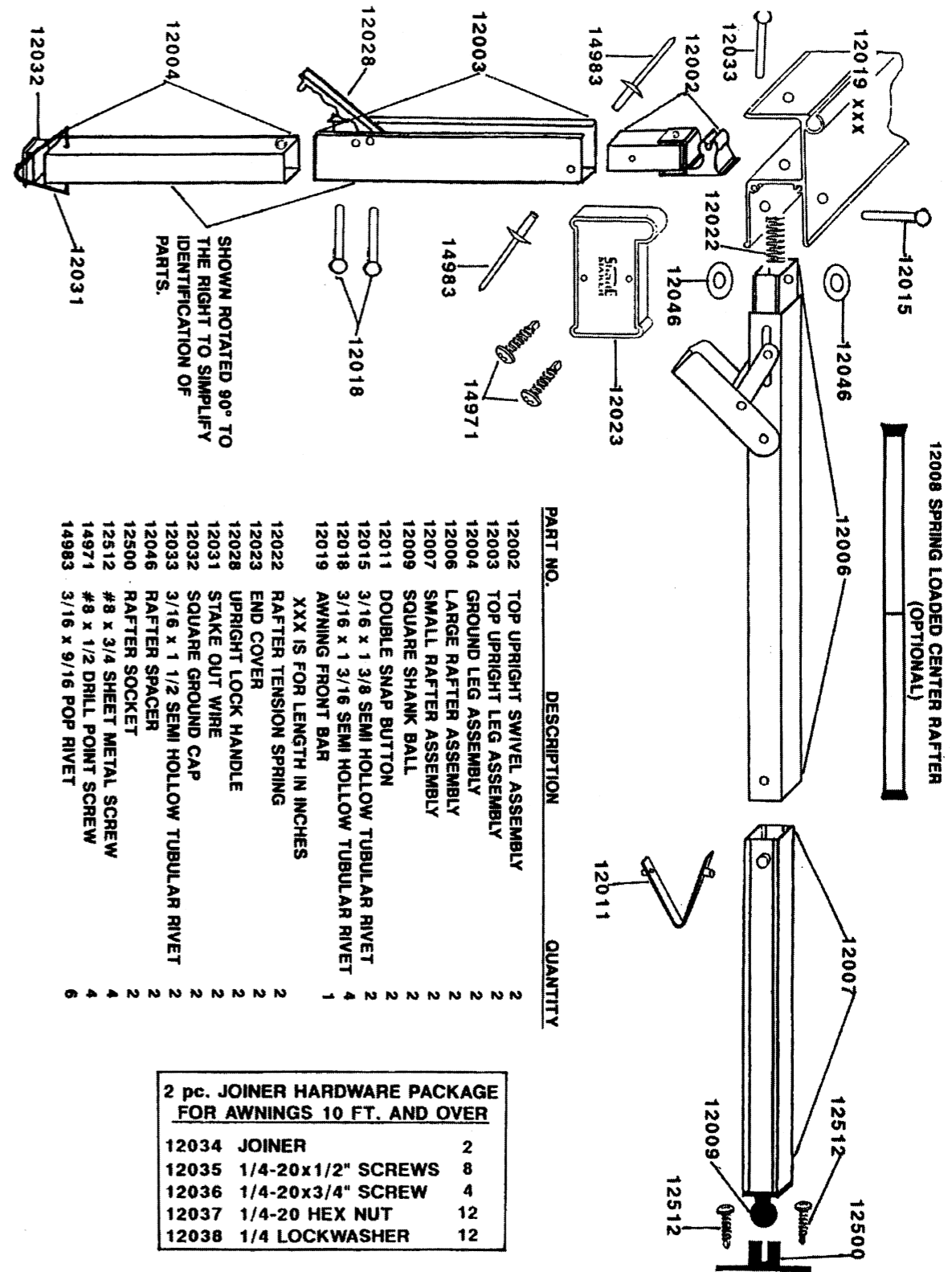
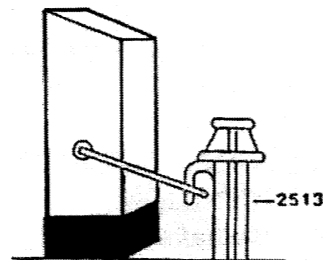
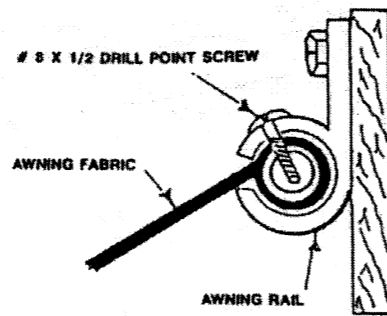
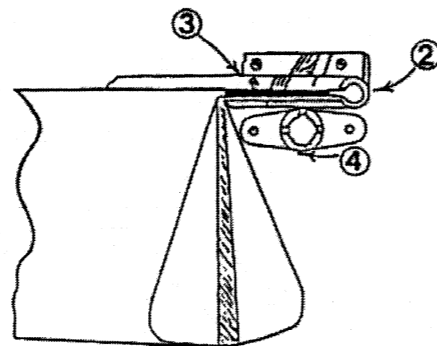
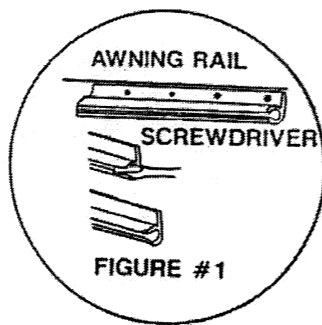
Caution: To Avoid the possibility of pinch injury, Do Not Grasp the awning near the hinge points while setting up or stowing the awning.

1. On pop-up campers, raise the top until the awning is at eye height.
2. Unzip awning bag to allow access to full length of awning while firmly holding the awning with one hand to prevent rotation.
3. Unroll awning.
4. Allow both legs to fall to the vertical.
5. While supporting awning frame, unfold one rafter, extend rafter handle, pull the small rafter from the large rafter until the snap locks engage and insert the ball fitting into the camper mounted socket.
6. Repeat on opposite rafter.
7. Unlock one leg, extend as desired and re-lock the leg.
8. Repeat the opposite leg.
9. Tension both rafters using the rafter tensioning handles.
10. Raise camper top to normal height.
11. Re-position each leg as necessary and stake to the ground with the stakes provided.

Note: Reverse the set-up procedure to stow the awning.

1 YEAR LIMITED WARRANTY ON MATERIALS AND WORKMANSHIP

WARRANTY COVERAGE IS LIMITED TO REPLACING OR REPAIRING DEFECTIVE COMPONENTS. COORDINATE RETURNS/REPAIR PARTS WITH THE FACTORY BY CALLING 888-611-2984. NO C.O.D. SHIPMENTS WILL BE ACCEPTED. COMPUTERIZED SALES RECORDS ARE USED TO DETERMINE ELEGIBILITY FOR WARRANTY. WARRANTY APPLIES ONLY TO ORIGINAL OWNER.



PART NO.	DESCRIPTION	QUANTITY
12002	TOP UPRIGHT SWIVEL ASSEMBLY	2
12003	TOP UPRIGHT LEG ASSEMBLY	2
12004	GROUND LEG ASSEMBLY	2
12006	LARGE RAFTER ASSEMBLY	2
12007	SMALL RAFTER ASSEMBLY	2
12009	SQUARE SHANK BALL	2
12011	DOUBLE SNAP BUTTON	2
12015	3/16 x 1 3/8 SEMI HOLLOW TUBULAR RIVET	2
12018	3/16 x 1 3/16 SEMI HOLLOW TUBULAR RIVET	4
12019	AWNING FRONT BAR	1
12022	RAFTER TENSION SPRING	2
12023	END COVER	2
12028	UPRIGHT LOCK HANDLE	2
12031	STAKE OUT WIRE	2
12032	SQUARE GROUND CAP	2
12033	3/16 x 1 1/2 SEMI HOLLOW TUBULAR RIVET	2
12046	RAFTER SPACER	2
12500	RAFTER SOCKET	2
12512	# 8 x 3/4 SHEET METAL SCREW	4
14971	# 8 x 1/2 DRILL POINT SCREW	4
14983	3/16 x 9/16 POP RIVET	6

2 pc. JOINER HARDWARE PACKAGE FOR AWNINGS 10 FT. AND OVER

12034	JOINER	2
12035	1/4-20x1/2" SCREWS	8
12036	1/4-20x3/4" SCREW	4
12037	1/4-20 HEX NUT	12
12038	1/4 LOCKWASHER	12